



HIGH
SPEED
DOORS



DynamicRoll®

DynamicRoll® one

TECHNICAL DATA



HIGH SPEED
Up to 1,2 m/s



SAFE



SELF-REPAIR



OIL FREE



GRAVITY TECHNOLOGY

MAXIMUM DIMENSIONS	W 3000 mm x H 3500 mm
SPEED	Max opening speed up to 1,2 m/s
	Closing speed 0,8 m/s adjustable
CYCLES TEST	1.000.000
WIND RESISTANCE	Class 1
STRUCURE	Not self-supporting
FRAME / MOTOR COVER HOOD	Standard Galvanized steel
	Optional • Powder coated steel • Stainless steel 441/316
CURTAIN	Standard PVC curtain 900 gr/m ²
	Optional • Insulated • Translucent 35/40% • FDA (white) • Antistatic
SLIDING SYSTEM	Patented sliding system with high density Polyzene self-lubricant equipped of sliding zipper directly on curtain
CONTROL PANEL INTEGRATED	Standard • Power supply 1-ph, 230V max 16A • Start/Stop button
	Optional • 2 free contacts (door open / closed / alarm) • Automatic / manual interlocking between 2 doors
WIRING	Plug and Play system IP65
SAFETIES	Standard • Photocells set IP65 • Anti-jam sensor reverse
	Optional Multi ray light curtain barrier H 2500 IP67
EMERGENCY OPENING	Standard Hand crank
	Optional • Chain system • Counterweight system • UPS battery
ADVISING OPERATIVE TEMPERATURE	Operating till positive temperature (> 0°C) - Not apt to be installed in negative/positive temperature



DYNAMICROLL® ONE is a self-repairing roll up equipped with the Dynamicroll® zipper system.

The integrated motor box eliminates costly and unaesthetic electrical and control panel piping. Its patented sliding system allows the door to work in complete safety: in case of accidental collisions, the curtain comes out from the guides and reinserts to the next cycle.



Standard model has neither top cover hood nor motor hood

EN13241 CERTIFICATION

STANDARD	REF.	TEST ACC.	RESULTS
WATER PERMEABILITY	EN 12425	EN 12489	Class 0
WIND LOAD	EN 12424	EN 12444	Class 1
AIR PERMEABILITY	EN 12426	EN 12427	Class 0
SAFE OPENINGS	EN 12453	EN 12445	✓
MECHANICAL RESISTANCE	EN 12604	EN 12605	✓
UNINTENDED MOVEMENTS	EN 12604	EN 12605	✓
THERMAL TRANSMITTANCE	EN 12428	EN 12428	6,02 W/m ² K
PERFORMANCE (CYCLES)	EN 12604	EN 12605	1.000.000

Values can change depending on door dimensions

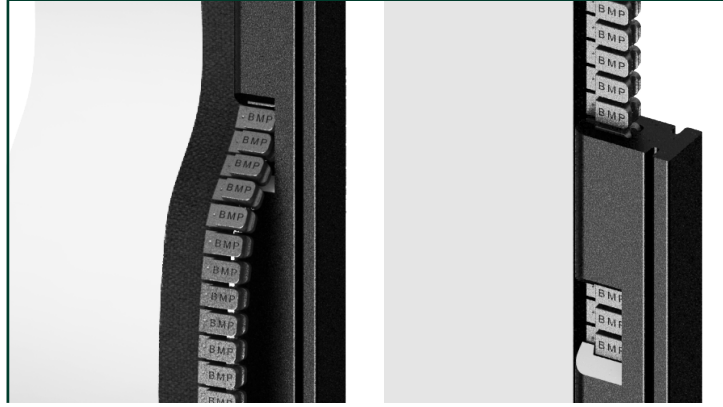
ADVANTAGES

- Self-repairing
- Rapid
- Sealing
- Noiseless
- No rigid elements inside the curtain for 100% safety
- Plug & play (easy to install)
- Low maintenance
- Energy savings
- Control panel integrated on motor
- Available without top cover hood and motor hood

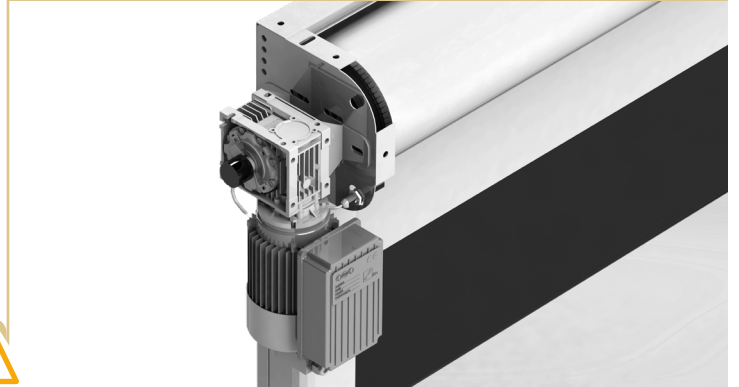
Standard model has neither top cover hood nor motor hood



SLIDING SYSTEM / SELF-REPAIRING



CONTROL PANEL INTEGRATED WITH THE MOTOR

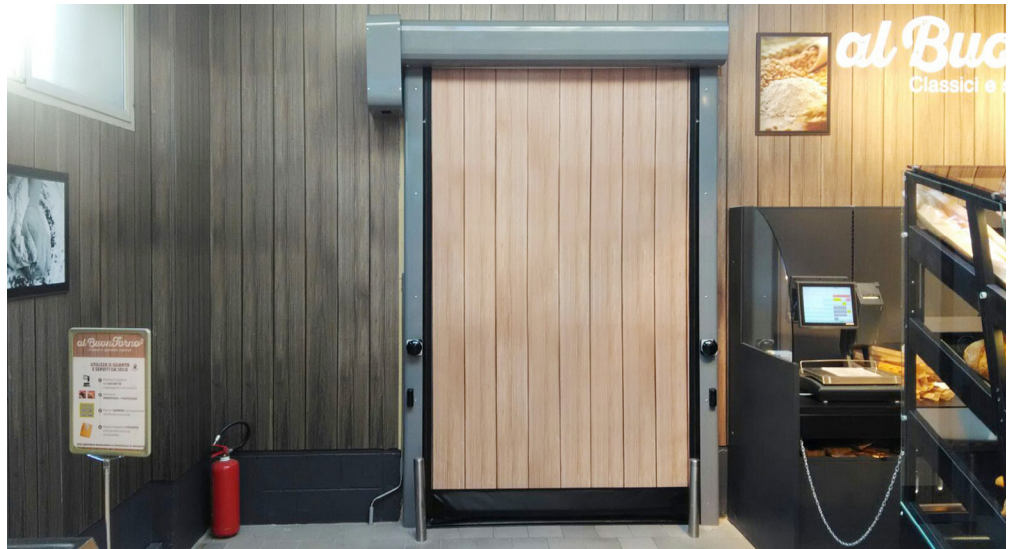


APPLICATIONS

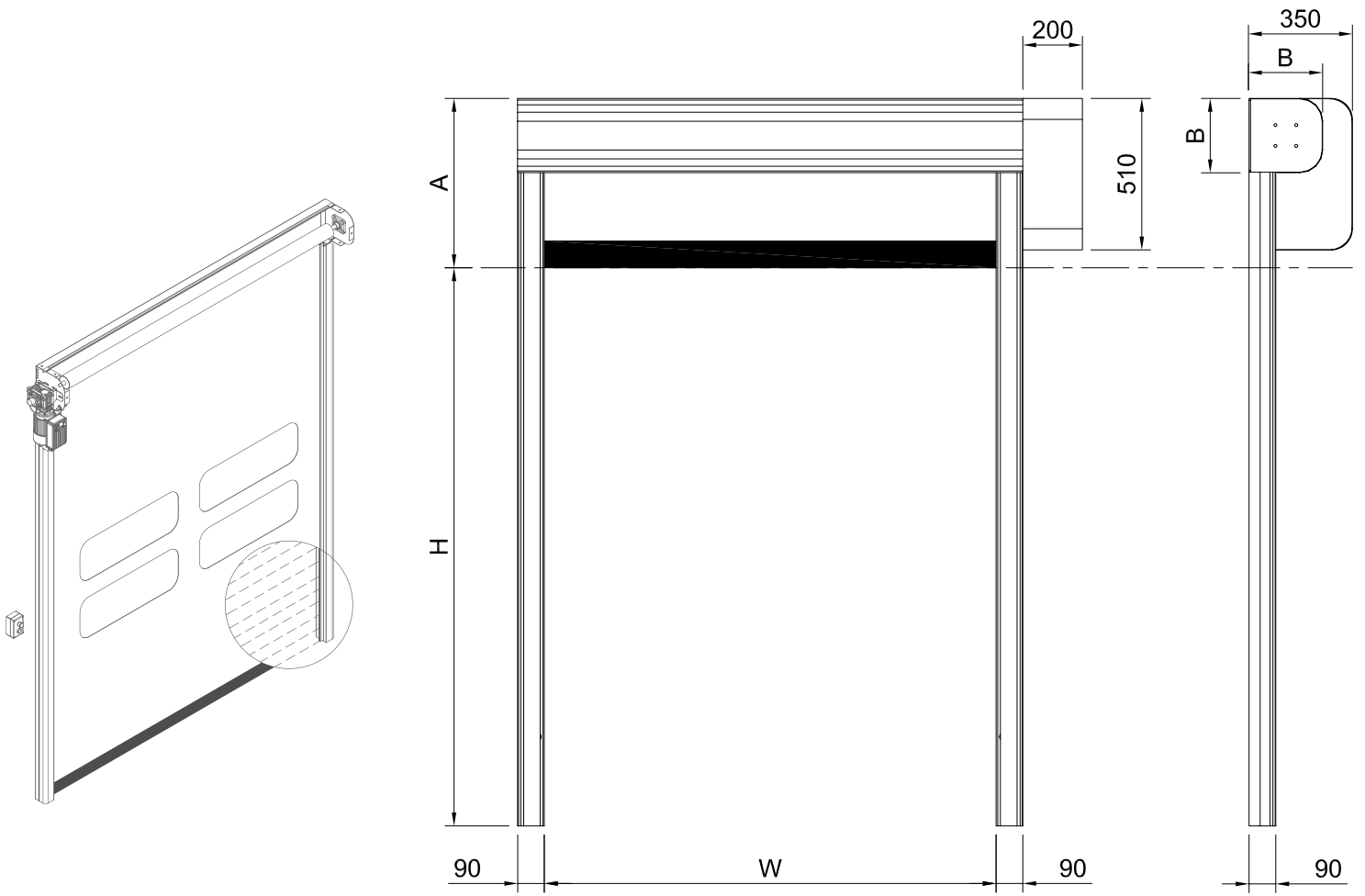
Supermarket

Car wash

Conveyor lines



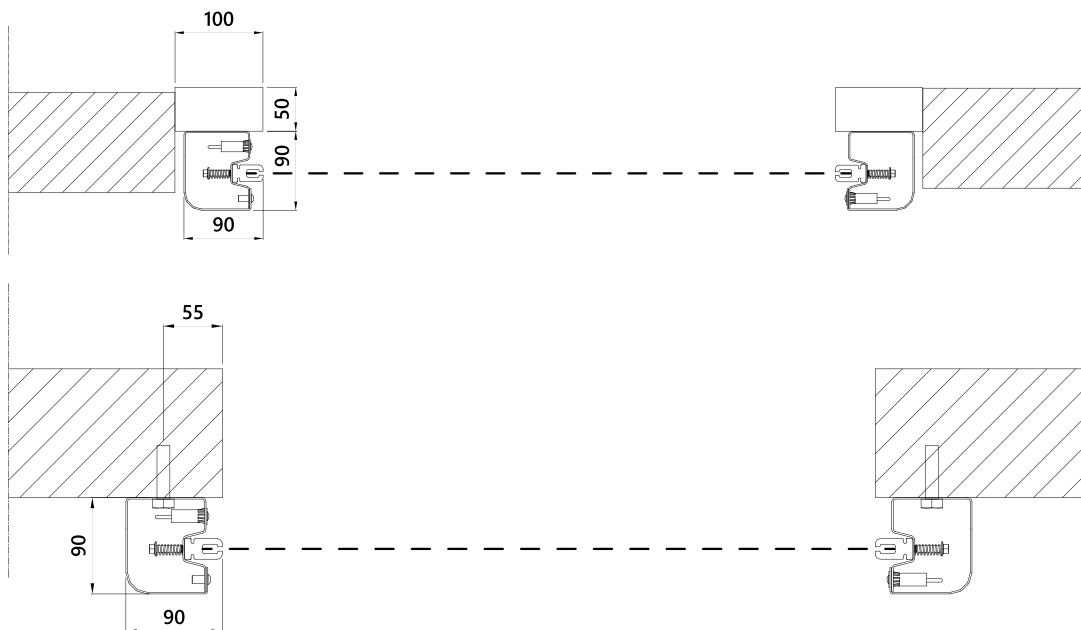
DOOR SPACE REQUIREMENTS



A: 450 / 550

B: 250 / 350

FIXING DETAILS



PVC CHARACTERISTICS

STANDARD PVC

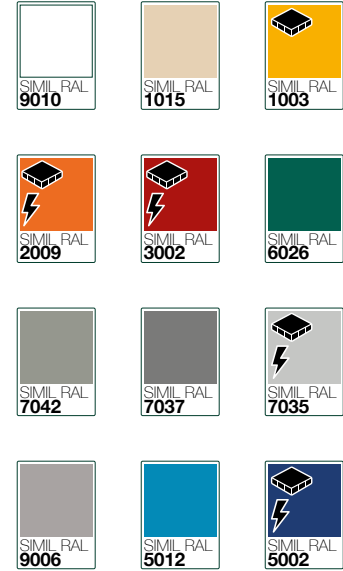
Composition and tests

EXTERNAL SIDE			
Material	Finishing	Color	Thick
PVC	Opaque	12 standard	0,7 mm
FABRIC			
Material	N. tarps	Title	EN 2286-2
PES	1	1100Dtex 12x12	900 g/m ²
INTERNAL SIDE			
Material	Finishing	Color	Thick
PVC	Rough	12 standard	0,2 mm
COLD RESISTANCE			
ISO 4675/90 -50°C ±5			
HYDROLYSIS TEST			
75°C 95% humidity none variation			
GAS OIL TEST			
ISO 1421 none variation			
MARINE WATER TEST			
(ISO 1421) none variation			
OZONE TEST			
ISO 3011 none crack			
T. STORAGE			
(°C) -30 +65			
FLAME TEST			
(ISO 3795) < 100 mm/min			
PERFORATION			
RINA 3.A1.2.7 (N) > 100			
EXERCISE 7 days -70°C			
ISO 6065 none variation			


Characteristics

THICK	
ISO 2286/3	(mm) 0,9±0,1
WEIGHT	
ISO 2286/2	(kg/m ²) 0,90±0,1
LOAD BREAK	
ISO 1421	6000 N/50mm
WARP EXTENSION	
ISO 1421	4300 N/50mm
TEXTURE EXTENSION	
ISO 1421	4000 N/50mm
WARP BREAK	
dIN 53 363	(N) > 600
TEXTURE BREAK	
dIN 53 363	(N) > 530
ADHESION	
dIN EN ISO 2411	130 N/50mm
EEC CONFORMITY	
-	Yes
SPECIFIC USE	
industry, refrigerators, car washes, supermarkets, warehouses	
ASSOCIATION	
-	-

Colors



 Insulated available

 Antistatic available

FDA CERTIFICATED PVC

Food Drug Administration

TECNICAL DATA

Composition and tests

TOP FACE COATING			
Material	Finish	Color	Thickness
PUR	Opaque	white	0,6 mm
FABRIC			
Material	N. tarps	Title	EN 2286-2
PET	1	2200 Dtex 12x12	1500 g/m ²
UNDERSIDE COATING			
Material	Finish	Color	Thickness
PUR	Plain	white	0,6 mm
COLD RESISTANCE			
ISO 4675/90 -30°C ±5			
TROPICAL TEST			
75°C 95% humidity none variation			
DIESEL FUEL TEST			
ISO 1421 none variation			
SEA WATER TEST			
ISO 1421 none variation			
OZONE TEST			
ISO 3011 none crack			
T. STORAGE			
(°C) -30 +65			
ABRASION			
ISO 5470/80, 5N C517 400 cycles (mg) 1			
PUNCTURE			
RINA 3.A1.2.7 (N) > 125			
AGEING 7 days -70°C			
ISO 6065 none variation			

Characteristics

THICKNESS	
ISO 2286/3	(mm) 1,20±0,1
WEIGHT	
ISO 2286/2	(kg/m ²) 1,30±0,1
TENSILE STRENGTH WARP	
ISO 1421	6000 N / 50mm
ELONGATION YARN	
ISO 1421	[%] > 14
ELONGATION WEFT	
ISO 1421	[%] > 20
TEAR RESISTANCE WARP	
dIN 53 363	(N) > 250
TEAR RESISTANCE WEFT	
dIN 53 363	(N) > 220
PEELING TEST	
dIN EN ISO 2411	130 N/50mm
FDA COMPLIANCE CEE	
-	Yes
SPECIFIC USE	
cleanrooms, clinical, hospital	
ASSOCIATION	
-	DynamicRoll

Disclaimer

The information contained in this document describes the features of the BMP EUROPE product as tested in a laboratory, other indications excepted, environment at a temperature of +23 degrees c° at 50% relative humidity. It does not necessarily reflect the conditions of industrial use and it does not guarantee the product to be suitable for certain applications. The client remains liable for the proper selection and correct use of the BMP EUROPE product. BMP EUROPE cannot be held responsible should damages arise from the use of its products. Necessary alterations to this data can be made without prior notice.

CRISTAL CHARACTERISTICS

PVC SUPERCLEAR

WINDOWS - CRISTAL TECHNICAL DATA

Article	SUPERCLEAR 1.2 mm FR		
Technical Specifications	Standards	Unit	Values
Thickness	-	mm.	1.2
PVC total weight	-	g/m ²	1200
Ligth transmission	JIS K - 7361	%	97.3
Tensile strength <i>Lenghtwise MD</i>	JIS K - 6732	N	26.1
Tensile strength <i>Crosswise TD</i>	JIS K - 6732	N	24.3
Tear strength <i>Lenghtwise MD</i>	JIS K - 6732	N	63.4
Tear strength <i>Crosswise TD</i>	JIS K - 6732	N	63.9
Elongation <i>Lenghtwise MD</i>	JIS K - 6732	%	377
Elongation <i>Crosswise TD</i>	JIS K - 6732	%	378
Cold crack resistance	JIS K - 6772	°C	-45

OPTIONAL ACCESSORIES

RADAR



OPENING POINT
RADAR TOF/SPOT
for internal use only



INFRARED RADAR
with cross-movement
adjustment



INFRARED RADAR
motion and presence
(pedestrian/forklift) radar

TRAFFIC LIGHTS



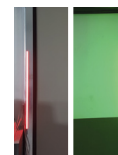
GREEN FIXED STANDARD
traffic light



RED FIXED STANDARD
traffic light



LED TRAFFIC LIGHT
with countdown



LED TRAFFIC LIGHT
BARRIERS
(connection card included)

BUTTONS



OPENING GREEN
BUTTON
with box



OPENING BLACK
BUTTON
with box



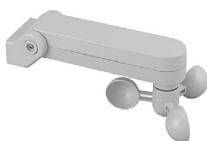
FREEZE STOP
BUTTON
with box



NO TOUCH
BUTTON



TRAFFIC LIGHT
BUTTON



WIND GAUGE



KEY
SELECTOR



REMOTE CONTROL



BOLLARD B-PROTECT



PULL CORD SWITCH



MAGNETIC LOOP DETECTOR

Quality products since 1997

BMP EUROPE HIGH SPEED DOORS
Strada della Freisa 1 - Villanova d'Asti 14019 (AT)
+39 0141 948843
www.bmpdoors.com - info@bmpurope.eu

10/2021