



HIGH  
SPEED  
DOORS



**DynamicRoll®**  
**MS150**

# TECHNICAL DATA



**HIGH SPEED**  
Up to 1,8 m/s



**PROTECTION**



**OIL FREE**



**SAFE**

DynamicRoll® **MS150** is a roll up door for applications where a protective mechanical barrier is needed to protect machineries and automated lines. Equipped with a **safety micro switch** installed in the bottom part of column (accessible), that assures a signal of door closed separately to the control panel.

The curtain is equipped with lateral zippers that assures the sealing of all door columns full height, for ideal protection.

- The door complies with the machinery directive **2006/42/EC** and the directive **2014/30/EU (EMC)**.
- Safety of control circuits **PL D (Performance Level)** according to **EN 13849-1** or **SIL 2 (Safety Integrity Level 2)** according to **IEC 62061**.

<b>MAXIMUM DIMENSIONS</b>	<b>W</b> 6.000 mm x <b>H</b> 5.000 mm
<b>SPEED</b>	<b>Max opening speed</b> Up to 1,8 m/s
	<b>Closing speed</b> 0,8 m/s
<b>CYCLES TEST</b>	1.000.000
<b>WIND RESISTANCE</b>	3.000 x 3.000 Class 4
<b>STRUCTURE</b>	Not self-supporting
<b>FRAME / MOTOR COVER HOOD</b>	<b>Standard</b> Galvanized steel
	<b>Optional</b> • Powder coated steel • Stainless steel 441/316
<b>CURTAIN</b>	<b>Standard</b> PVC curtain 1.300 g/m <sup>2</sup> , 6 W/m <sup>2</sup> K
	<b>Optional</b> • Translucent 35/40% • FDA (white) • Antistatic
<b>CONTROL PANEL</b>	<b>Standard</b> Powder coated steel box IP54 (300 x 500 x 150 mm)
	<b>Optional</b> • Stainless steel • PVC box IP65 (300 x 400 x 150 mm)
	Inverter system 50/60 Hz with absolute encoder
	Power supply 1-ph, 230V max 16A
	Power supply 3-ph, 400V max 10A
	Power supply 3-ph, 230V max 16A
	Start/ Stop button
	2 free contacts (door open / closed / alarm)
	Automatic / Manual Interlocking between 2 doors
	IP rating for motor and control panel IP54
<b>WIRING</b>	Plug and Play IP65 system
<b>SAFETIES</b>	<b>Standard</b> Multi ray light curtain barrier H 2500 IP67
<b>EMERGENCY OPENING</b>	<b>Standard</b> Hand crank
	<b>Optional</b> Chain system Counterweight system UPS battery
<b>ADVISING OPERATIVE TEMPERATURE</b>	Operating till -30 C°* with heating kit added - Not apt to be installed in negative/positive temperature



## EN13241 CERTIFICATION

STANDARD	REF.	TEST ACC.	RESULTS
WATER PERMEABILITY	EN 12425	EN 12489	Class 2
WIND LOAD	EN 12424	EN 12444	Class 4
AIR PERMEABILITY	EN 12426	EN 12427	Class 1
SAFE OPENINGS	EN 12453	EN 12445	✓
MECHANICAL RESISTANCE	EN 12604	EN 12605	✓
UNINTENDED MOVEMENTS	EN 12604	EN 12605	✓
THERMAL TRANSMITTANCE	EN 12428	EN 12428	6,02 W/m²K
PERFORMANCE (CYCLES)	EN 12604	EN 12605	1.000.000

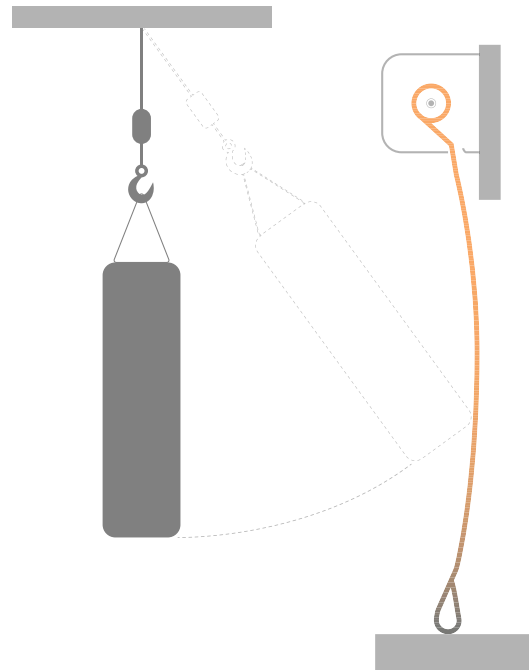
Values can change depending on door dimensions

## IMPACT TEST

**EN ISO 14120**  
**CERTIFICATION**

**100 x 6**  
KG KM/H

Tested impact energy **115**  
**JOULES**  
(Annex C - C.2.5.1)



## APPLICATIONS

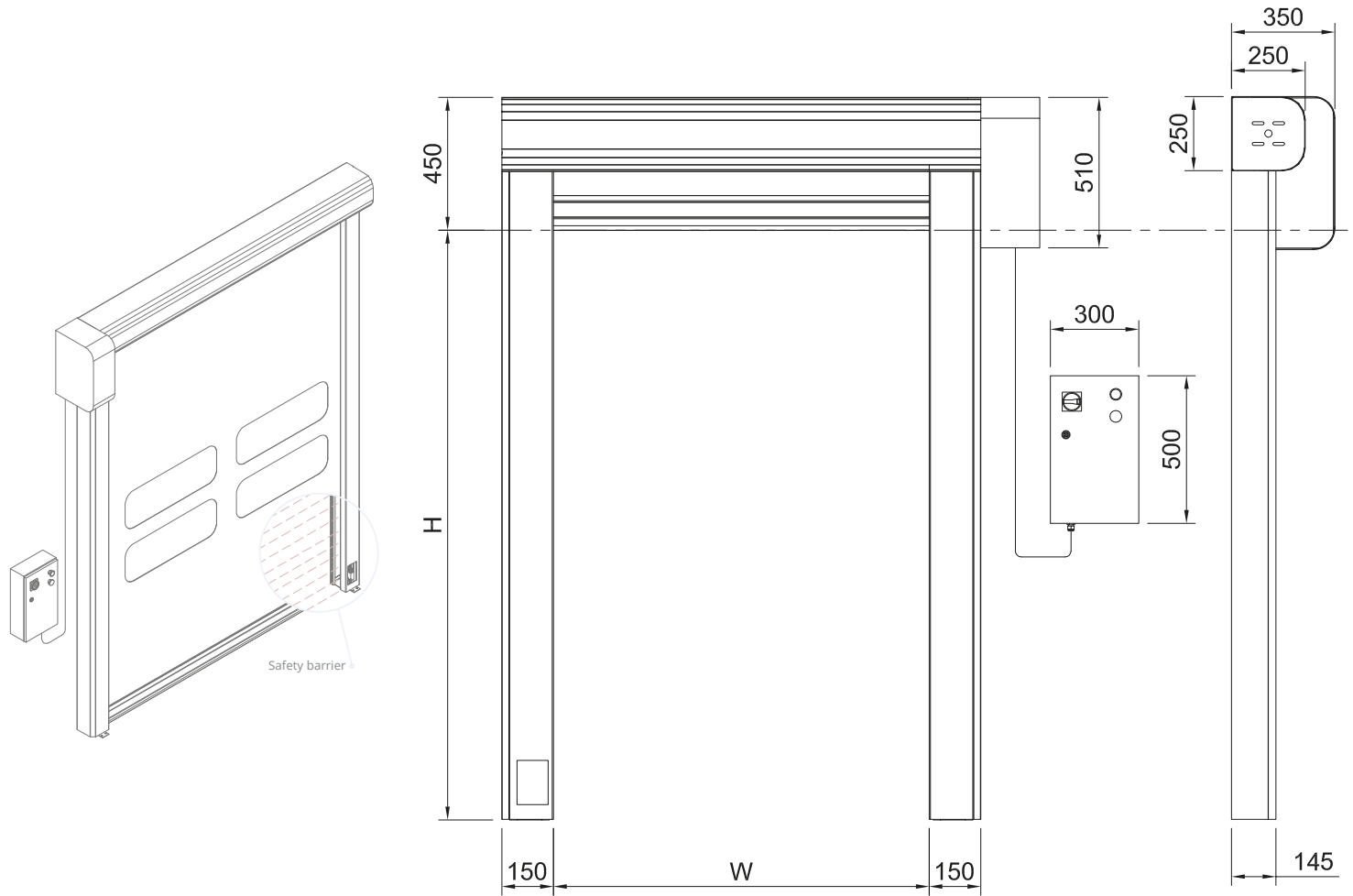


Industry, automated production lines



Conveyor lines

# DOOR SPACE REQUIREMENTS



## FIXING DETAILS



# PVC CHARACTERISTICS

## STANDARD PVC

### Composition and tests

EXTERNAL SIDE			
Material	Finishing	Color	Thick
PVC	Opaque	18 standard	0,7 mm
FABRIC			
Material	N. tarps	Title	EN 2286-2
PES	1	1100Dtex 12x12	900 g/m <sup>2</sup>
INTERNAL SIDE			
Material	Finishing	Color	Thick
PVC	Rough	18 standard	0,2 mm
<b>COLD RESISTANCE</b> ISO 4675/90 -50°C ±5			
<b>HYDROLYSIS TEST</b> 75°C 95% humidity none variation			
<b>GAS OIL TEST</b> - none variation			
<b>MARINE WATER TEST</b> - none variation			
<b>OZONE TEST</b> ISO 3011 none crack			
<b>T. STORAGE</b> (°C) -30 +65			
<b>FLAME TEST</b> ISO 3795 < 100 mm/min			
<b>PERFORATION</b> RINA 3.A1.2.7 (N) > 100			
<b>EXERCISE 7 days -70°C</b> ISO 6065 none variation			

### Characteristics

<b>THICK</b> ISO 2286/3 (mm) 0,9±0,1
<b>WEIGHT</b> ISO 2286/2 (kg/m <sup>2</sup> ) 0,90±0,1
<b>LOAD BREAK</b> ISO 1421 6000 N/50mm
<b>WARP EXTENSION</b> ISO 1421 4300 N/50mm
<b>TEXTURE EXTENSION</b> ISO 1421 4000 N/50mm
<b>WARP BREAK</b> dIN 53363 (N) > 600
<b>TEXTURE BREAK</b> dIN 53363 (N) > 530
<b>ADHESION</b> dIN EN ISO 2411 130 N/50mm
<b>EEC CONFORMITY</b> - Yes
<b>SPECIFIC USE</b> industry, refrigerators, car washes, supermarkets, warehouses
<b>ASSOCIATION</b> -

### Colors



Antistatic available

FDA (Food Drug Administration) certified pvc available

## INSULATED PVC

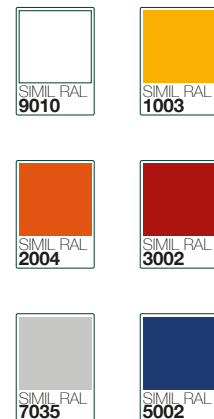
### Composition and tests

EXTERNAL SIDE			
Material	Finishing	Color	Thick
PVC	Straight	6 standard	0,5 mm
FABRIC			
Material	N. tarps	Title	EN 2286-2
PES	1	1100Dtex 12x12	1350 g/m <sup>2</sup>
INTERNAL SIDE			
Material	Finishing	Color	Thick
PVC	Sponge	6 standard	7 mm
<b>COLD RESISTANCE</b> ISO 4675/90 -10°C ±5			
<b>HYDROLYSIS TEST</b> 75°C 95% humidity none variation			
<b>GAS OIL TEST</b> - none variation			
<b>MARINE WATER TEST</b> - none variation			
<b>OZONE TEST</b> ISO 3011 none crack			
<b>T. STORAGE</b> (°C) -30 +65			
<b>FLAME TEST</b> ISO 3795 cl 2, NFPA 701 test 2			
<b>PERFORATION</b> RINA 3.A1.2.7 (N) > 100			
<b>EXERCISE 7 days -70°C</b> ISO 6065 none variation			

### Characteristics

<b>THICK</b> ISO 2286/3 (mm) 7,0±0,1
<b>WEIGHT</b> ISO 2286/2 (kg/m <sup>2</sup> ) 1,7±0,1
<b>LOAD BREAK</b> ISO 1421 6000 N/50mm
<b>WARP EXTENSION</b> ISO 1421/V1 3000 N/50mm
<b>TEXTURE EXTENSION</b> ISO 1421/V1 2800 N/50mm
<b>WARP BREAK</b> dIN 53363 300 N
<b>TEXTURE BREAK</b> dIN 53363 300 N
<b>ADHESION</b> PA 09.03 (internal) 15 N/cm
<b>THERMAL CONDUCTIVITY</b> - 0,03782 W.m <sup>-1</sup>
<b>ISOLATION INDEX</b> - Rw= 17,5 dB
<b>EMPLOYMENT</b> industry, refrigerators, car washes, supermarkets, warehouses
<b>ASSOCIATION</b> -

### Colors



# CRISTAL CHARACTERISTICS

## PVC SUPERCLEAR

**! SUITABLE ONLY FOR POSITIVE TEMPERATURE ENVIRONMENTS**

### WINDOWS - CRISTAL

#### TECHNICAL DATA

Article	SUPERCLEAR 1.2 mm FR
---------	----------------------

Technical specifications	Standards	Unit	Values
Thickness	-	mm.	1.2
PVC total weight	-	g/m <sup>2</sup>	1200
Light transmission	JIS K - 7361	%	97.3
Tensile strength <i>Lengthwise MD</i>	JIS K - 6732	N	26.1
Tensile strength <i>Crosswise TD</i>	JIS K - 6732	N	24.3
Tear strength <i>Lengthwise MD</i>	JIS K - 6732	N	63.4
Tear strength <i>Crosswise TD</i>	JIS K - 6732	N	63.9
Elongation <i>Lengthwise MD</i>	JIS K - 6732	%	377
Elongation <i>Crosswise TD</i>	JIS K - 6732	%	378
Cold crack resistance	JIS K - 6772	°C	-45

## OPTIONAL ACCESSORIES

### RADAR



OPENING POINT  
RADAR TOF/SPOT  
for internal use only



INFRARED RADAR  
with cross-movement  
adjustment



INFRARED RADAR  
motion and presence  
(pedestrian/forklift) radar

### TRAFFIC LIGHTS



GREEN FIXED STANDARD  
traffic light



RED FIXED STANDARD  
traffic light



LED TRAFFIC LIGHT  
with countdown



LED TRAFFIC LIGHT  
BARRIERS  
(connection card included)

### BUTTONS



OPENING GREEN  
BUTTON  
with box



OPENING BLACK  
BUTTON  
with box



FREEZE STOP  
BUTTON  
with box



NO TOUCH  
BUTTON



TRAFFIC LIGHT  
BUTTON  
DUAL-FUNCTION  
opening and  
intermittent door  
opening/closing  
signaling



WIND GAUGE



KEY SELECTOR



REMOTE CONTROL



BOLLARD B-PROTECT



PULL CORD SWITCH



MAGNETIC LOOP DETECTOR

Quality products since 1997

**BMP EUROPE HIGH SPEED DOORS**  
Strada della Freisa 1 - Villanova d'Asti 14019 (AT)  
+39 0141 948843  
[www.bmpdoors.com](http://www.bmpdoors.com) - [info@bmpdoors.com](mailto:info@bmpdoors.com)

11/2023